

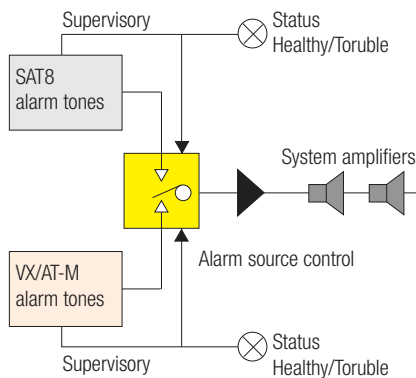
Hot-Standby Alarm Tone Generator System SAT8



- System on a chip technology
- Supplied fully configured
- Complies with international standards

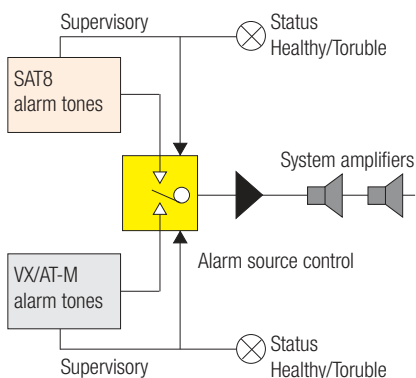
For highly critical voice alarm broadcast applications (PA/GA) it is essential to provide redundancy of critical hardware to improve overall PA/GA system security. PSC VODEC SAT8 is a compact plug in/out module designed to operate in conjunction with PSC VODEC VX/AT-M PA/GA management switch. The SAT8 is a self-contained alarm tone generation sub-system that can be configured to provide back-up to the host VX/AT-M alarm generation package on a “hot-standby” N+1 basis.

VX/AT-M Primary Alarm tone source



The VX/AT-M is the primary alarm tone source.
If the VX/AT-M alarm sub-system fail then the SAT8 is auto switched on on-line to maintain alarm tone source broadcast capability.

SAT8 Primary Alarm tone source



The SAT8 is the primary alarm tone source.
If the VX/AT-M alarm sub-system fail then the SAT8 is auto switched on on-line to maintain alarm tone source broadcast capability.

When N+1 alarm tone generation is required the SAT8 is plugged into the host VX/AT-M motherboard which is then configured to recognise the additional hardware by simple on-board DIL switch/plug link selection. The SAT8 can be arranged to supply alarm tone signals as the primary source (i.e. on-line) with the host alarm generation sub-system on hot-standby or the SAT8 can be a slave back-up tone source. Preference is set by tamperproof plug linking.

Technical data

Power supply input	DC 5 V or DC 24 V via auxiliary connector
Power supply input tolerance	± 20 % on DC 24 V input, ± 5 % on DC 5 V rail
Consumption	10 mA
Number of embedded alarm tone cadence	12 to comply with PFEER, NORSOK and IMO standards
Output	1 X 0 dBm 770 mV
Alarm initiate input	12 N/C contacts rated 0.25 A @ DC 24 V volt/earth free
Weight	0.25 kg (0.6 lbs)
Material	Glass fibre through hole plate PCB
Dimensions (width x height x depth)	483 mm x 44.5 mm x 160 mm (19.02 inch x 1.75 inch x 6.30 inch) (fitted within VX/AT-M)
Temperature range	-20 °C to +50 °C (-4 °F to +122 °F)