

- 16 subscriber selectors fitted as standard
- Single pair connectivity
- Membrane keyboard
- Simple system expansion
- Easy installation, rapid commissioning

The PSC VODEC DX3+1 is a driller’s talkback intercom system designed to enable reliable safety critical two way communication between a master Driller’s position and strategic rig locations. The DX3+1 system is managed and controlled from a DX3MC16 control panel which allows the driller to conveniently establish communication plans for hands-free operation.

Explosion protection

Marking	Ex II 2G Ex ib IIC T4 -40 °C ≤ T _a ≤ +60 °C
---------	---

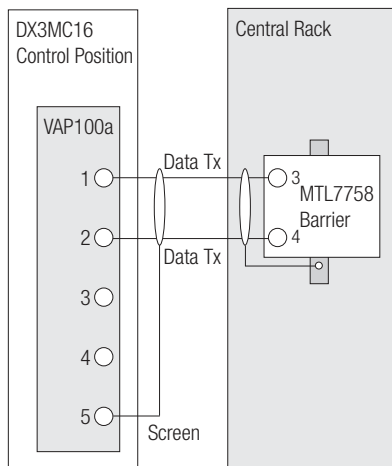
Technical data

ATEX certified	Zone IIC T4 Hazardous Area 1 Certification
Dimensions (width x height x depth)	250 mm x 350 mm x 55 mm (9.84 inch x 13.78 inch x 2.17 inch)
Weight	1 kg (2.2 lbs)
Finish	back enclosure electroplate steel
Power supply	DC 5 V phantom powered
Transceiver	VAP100a

The unit comprises of a robust low profile enclosure which carries a tactile membrane keyboard (which is fitted with large illuminating subscriber channel selector keys) and an extended “long reach” gooseneck mounted noise cancelling microphone. The DX3MC16 is ATEX certified for safe use in a Zone 1 IIC potentially explosive atmospheres and is rated intrinsically safe when used in conjunction with PSC VODEC central equipment. The DX3MC16 is fitted with a PSC VODEC VAP100a transceiver which provides modular plug in/out interface facilitating rapid service. Connection between the control unit and the host DX3+1 central rack is by a single cable pair which carries phantom DC power supply, data and status indication control.

Diagram

shows connection of DX3MC16 master control unit linked to host equipment



Drawing

